

Raspberry Pi B+

TITLE: v100

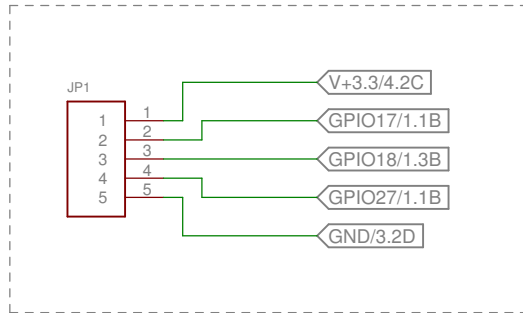
Document Number:

REV:

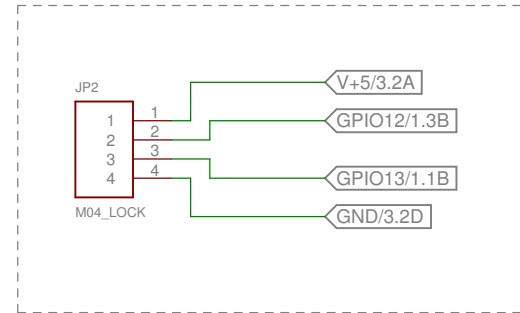
Date: 1/7/15 1:40 PM

Sheet: 1/4

Switch input



LED PWM Output



I/O CONNECTORS

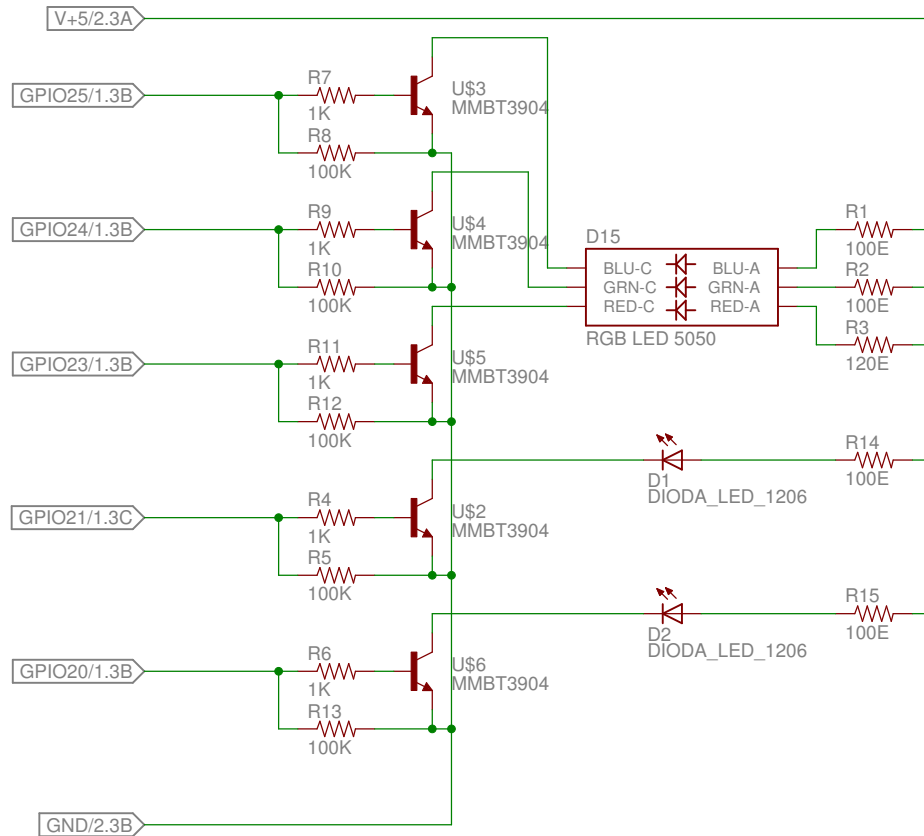
TITLE: v100

Document Number:

REV:

Date: 1/7/15 1:40 PM

Sheet: 2/4



RGB LED SIGNAL

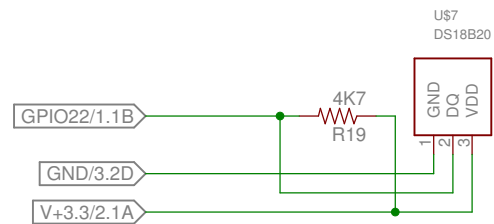
TITLE: v100

Document Number:

REV:

Date: 1/7/15 1:40 PM

Sheet: 3/4



DS18B20 Termo

TITLE: v100

Document Number:

REV:

Date: 1/7/15 1:40 PM

Sheet: 4/4