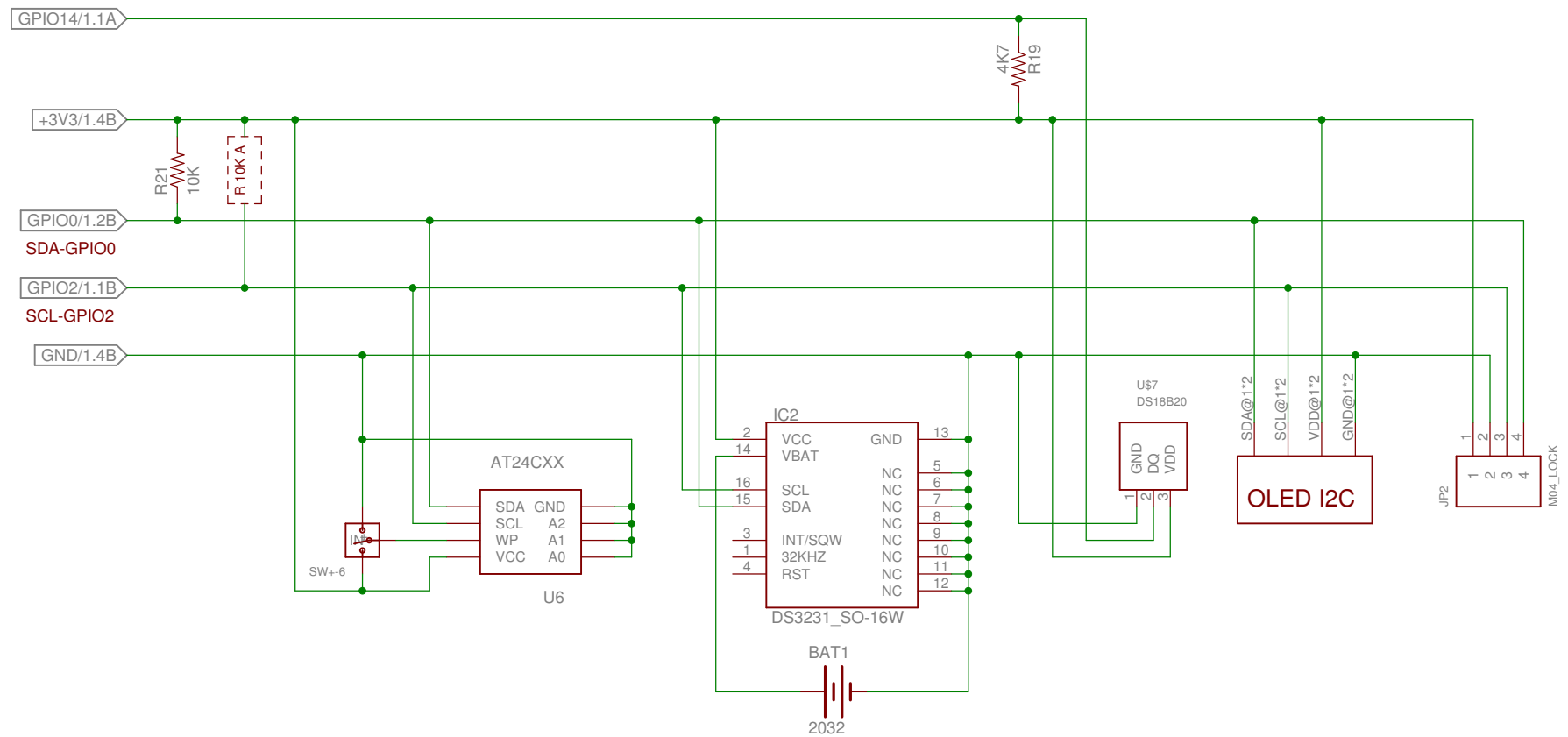


ESP8266, FLUSH/RESET, AUX CON, DC +5V/3.3V

TITLE: basic-host	
Document Number:	REV:
Date: 1/8/18 8:52 AM	Sheet: 1/2



EEPROM, RTC, DS18B20, OLED, AUX I2C

TITLE: basic-host

Document Number:

REV:

Date: 1/8/18 8:52 AM

Sheet: 2/2